

5.0AMP SCHOTTKY BARRIER RECTIFIERS- 20~200Volts

DO-201AD PACKAGE

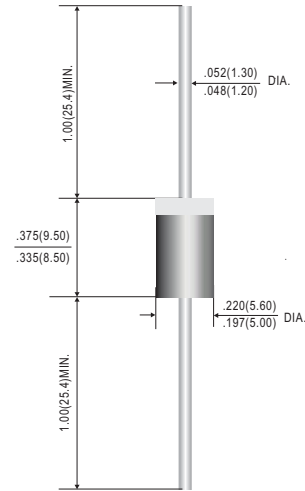


**FEATURES**

- \* High reliability
- \* Low switching noise
- \* Low forward voltage drop
- \* High current capability
- \* High switching capability
- \* Moisture Sensitivity Level 1
- \* RoHs product for packing code suffix "G",  
Halogen free product for packing code suffix "H"



**DO-201AD**



Dimensions in inches and (millimeters)

**MECHANICAL DATA**

- \* Case: Molded plastic
- \* Epoxy: UL 94V-O rate flame retardant
- \* Lead: MIL-STD-202E method 208C guaranteed
- \* Mounting position: Any
- \* Weight: 1.18 gram

**MAXIMUM RATINGS AND ELECTRICAL CHARACTERISTICS**

Ratings at 25°C ambient temperature unless otherwise specified.  
Single phase half wave, 60Hz, resistive or inductive load.  
For capacitive load, derate current by 20%

RATINGS	SYMBOL	SR520	SR530	SR540	SR550	SR560	SR580	SR5100	SR5150	SR5200	UNIT	
Marking Code		SR520	SR530	SR540	SR550	SR560	SR580	SR5100	SR5150	SR5200		
Maximum Recurrent Peak Reverse Voltage	V <sub>RRM</sub>	20	30	40	50	60	80	100	150	200	Volts	
Maximum RMS Voltage	V <sub>RMS</sub>	14	21	28	35	42	56	70	105	140	Volts	
Maximum DC Blocking Voltage	V <sub>DC</sub>	20	30	40	50	60	80	100	150	200	Volts	
Maximum Average Forward Rectified Current 0.375" (9.5mm) lead length at T <sub>L</sub> = 90°C	I <sub>O</sub>	5.0									Amps	
Peak Forward Surge Current 8.3 ms single half sine-wave superimposed on rated load (JEDEC method)	I <sub>FSM</sub>	150									Amps	
Typical Thermal Resistance (Note 1)	R <sub>θJA</sub>	18									°C/W	
	R <sub>θJC</sub>	10									°C/W	
Typical Junction Capacitance (Note 2)	C <sub>J</sub>	200			250			350			pF	
Storage and Operating Temperature Range	T <sub>J</sub> , T <sub>STG</sub>	-65 to +125									-65 to +150	°C

CHARACTERISTICS	SYMBOL	SR520	SR530	SR540	SR550	SR560	SR580	SR5100	SR5150	SR5200	UNIT		
Maximum Instantaneous Forward Voltage at 5.0A DC(Noye)	V <sub>F</sub>	0.55			0.70			0.85			0.87	0.92	Volts
Maximum Average Reverse Current at Rated DC Blocking Voltage	I <sub>R</sub>	@TA=25°C									0.5	mAmps	
		@TA=100°C									10		

- NOTES :1. Thermal Resistance (Junction to Ambient): Vertical PC Board Mounting, 0.5" (12.7mm) Lead Length.  
Thermal Resistance (Junction to Case).  
2. Measured at 1 MHz and applied reverse voltage of 4.0 volts.  
3. Measured at Pulse Width 300µs, Duty Cycle 2%.

5.0AMP SCHOTTKY BARRIER RECTIFIERS- 20~200Volts

FIG.1 TYPICAL FORWARD CURRENT DERATING CURVE

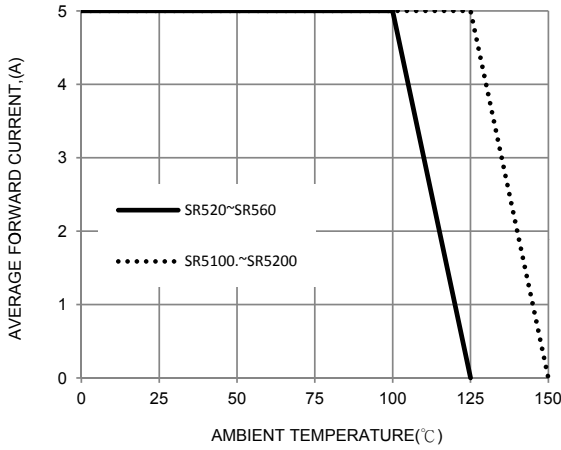


FIG.2 TYPICAL REVERSE CHARACTERISTICS

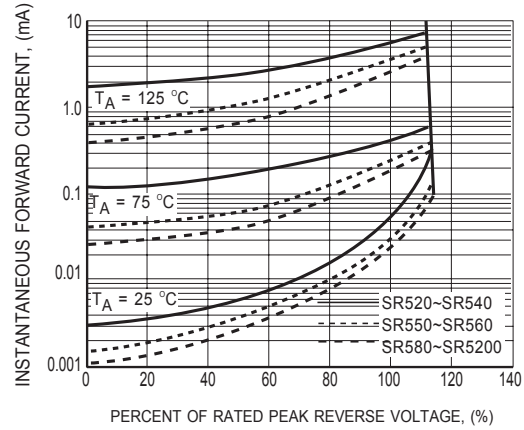


FIG.3 TYPICAL INSTANTANEOUS FORWARD CHARACTERISTICS

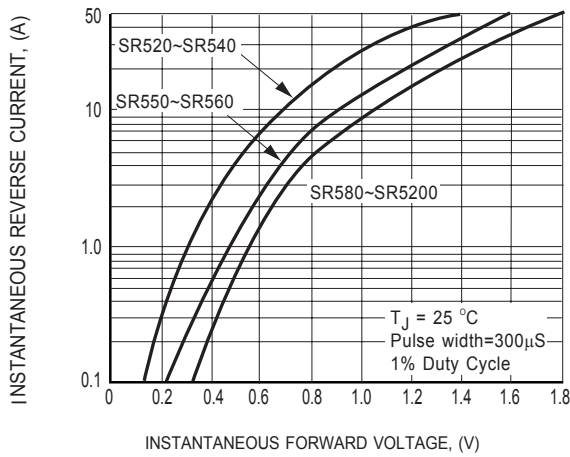


FIG.4 TYPICAL JUNCTION CAPACITANCE

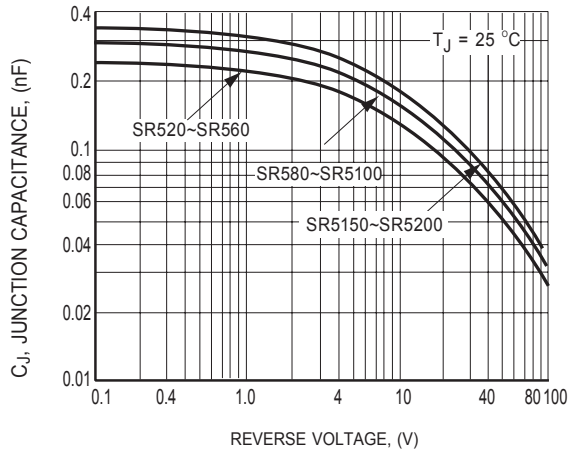


FIG.5 MAXIMUM NON-REPETITIVE FORWARD SURGE CURRENT

